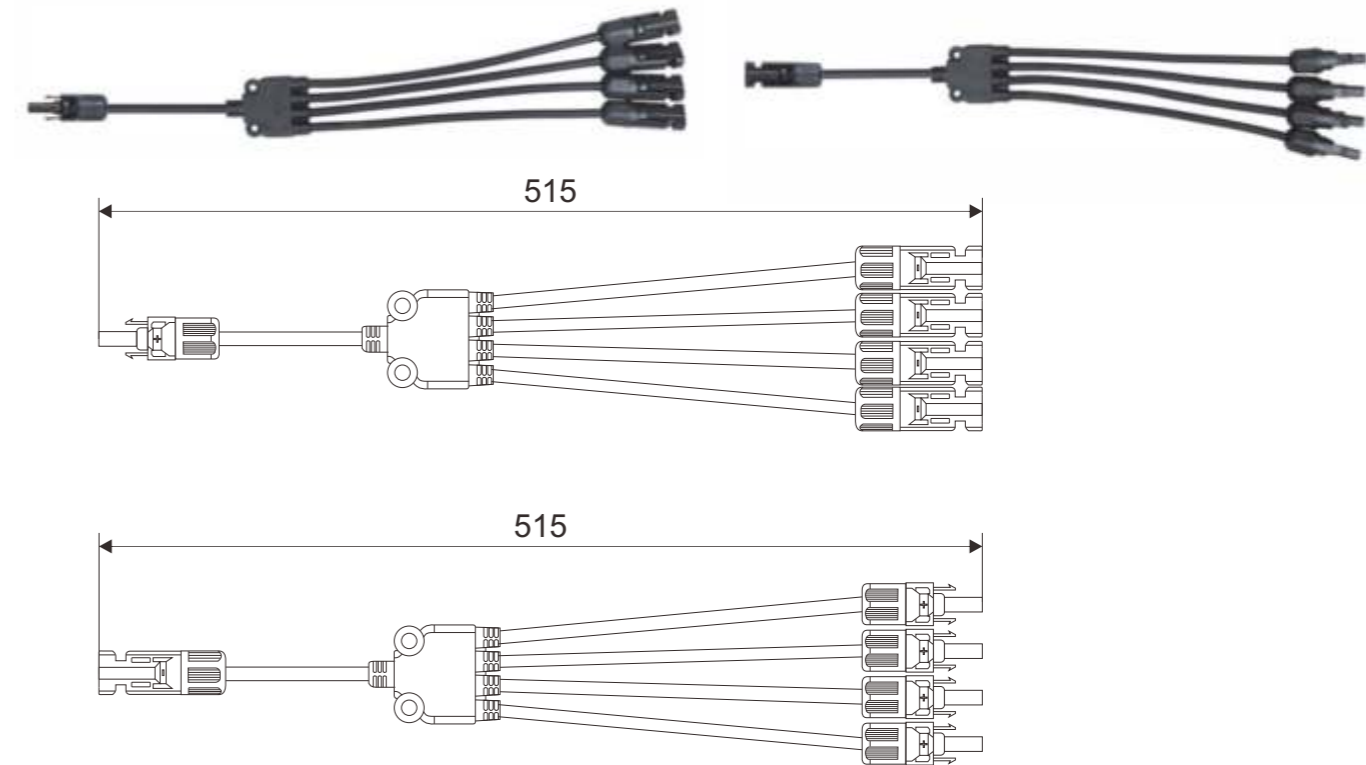


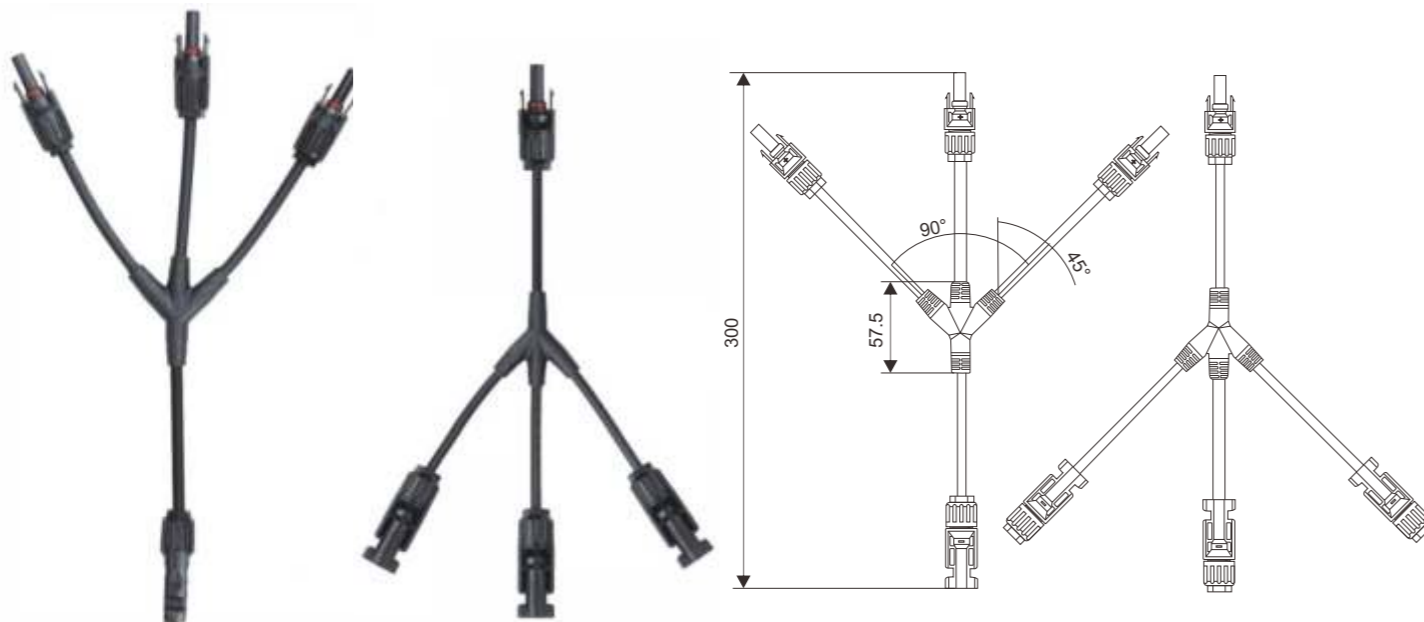
GSC4-TY2



GSC4-TY4



GSC4-TY3



Data	
Connector system	Φ4mm
Rated voltage	1000V DC(IEC) ¹
Rated current	30A
Test voltage	6kV(50HZ,1min)
Ambient temperature range	-40°C ...90°C(IEC) -40°C ...75°C(IEC)
Upper limiting temper ature	+105°C(IEC)
Degree of protection,mated	IP67
Unmated	IP2X
Contact resistance of plug connectors	0.5mΩ
Safetyclass	II
Contact material	Messing, verzinnt Copper Alloy, tin plated
Insulation material	PC/PA
Locking system	Snap-in
Flame class	UL-94-VO
Salt mist spray test, degree of severity 5	IEC 60068-2-52