



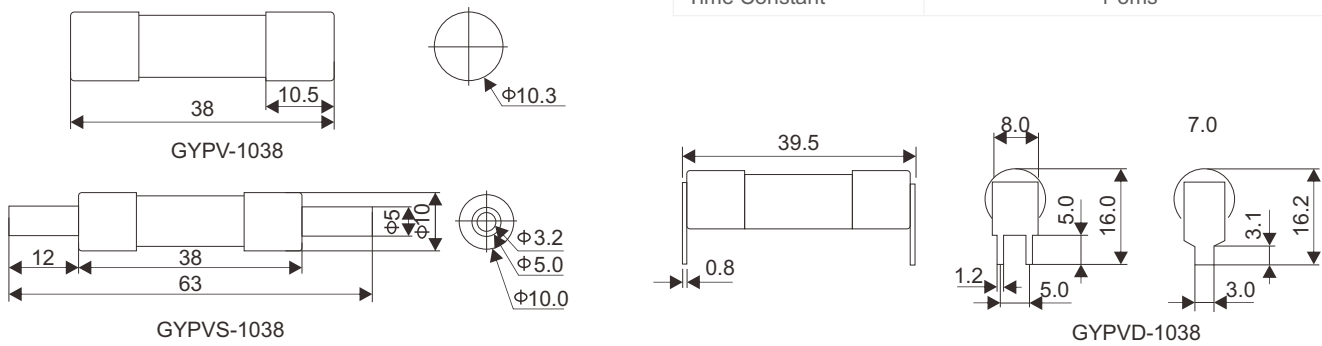
GYPV-1038

Solar Fuse

Model		
GYPV-1038	1A-32A	1000V DC
GYPVD-1038	1A-32A	1000V DC
GYPVS-1038	1A-32A	1000V DC

Parameter	
Fuse Size	10x38mm
Class of Operation	gPV
Standard	GB/T 13539.6 IEC60269-6
Breaking Capacity	20kA
Time Constant	1-3ms

Dimensions(mm)



Specifications

Model	Rated current	I ² T(A ² S)	
		Pre-arcing	Total
GYPV-1038	1	0.15	0.4
	2	1.2	3.3
	3	3.9	11
	4	10	27
	5	18	48
	6	31	89
	8	3.1	31
	10	7.2	68
	12	16	136
	15	24	215
	16	28	255
	20	38	392
	25	71	508
	30	102	821
32	176	976	