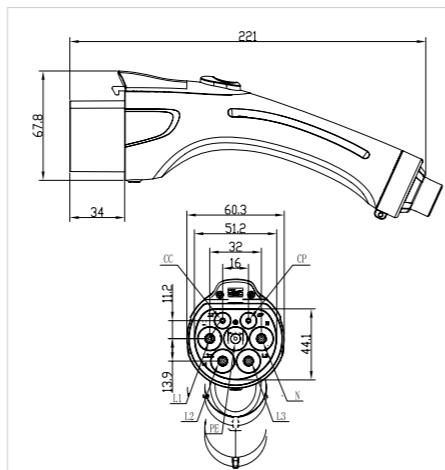




GPEC-E-AC
AC Charger(Car End)

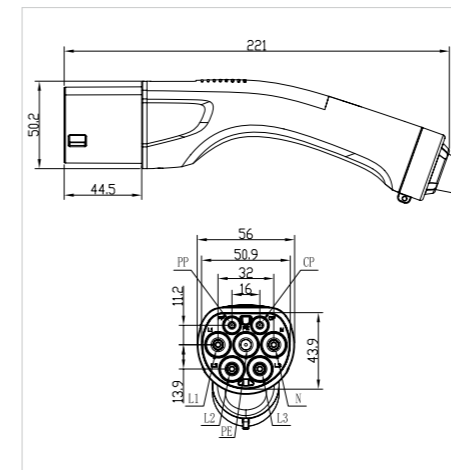
Data	
Environmental performance	
Operating temperature	-30°C~+50°C
Degree of protection	IP55
Electrical performance	
Rated current	16A/20A/32A/40A
Operation voltage	250/480V
Insulation resistance	>1000MΩ (DC500V)
Contact Resistance	0.5mΩ Max
Terminal temperature rise	<50K
Withstand voltage	2500V
Mechanical properties	
Mechanical life	no-load plug in/out >10000times
Coupled insertion force	45N<F<100N
Impact of external force	It can withstand 1m height drop and 2t vehicle rolling
Applied Materials	
Case material	Thermoplastic, flame retardant grade UL94 V-0; Shell color: white/black optional
Terminal	Copper alloy, silver plating

Product Model	Rated current	Rated current	Remarks
GPEC-AC-016-F501-X	16A	Single phase 3x2.5mm ² +2x0.5mm ² /	"X" after the model represents the wire length
GPEC-AC-020-F501-X	20A	TPU, Φ10.5±0.5	
GPEC-AC-016-F701-X	16A	Three phase 5x2.5mm ² +2x0.5mm ² /	Cable color: black/orange optional
GPEC-AC-020-F701-X	20A	TPU, Φ13±0.5	
GPEC-AC-032-F501-X	32A	Single phase 3x6mm ² +2x0.5mm ² /	Cable color: black/orange optional
GPEC-AC-040-F501-X	40A	TPU, Φ13±0.5	
GPEC-AC-032-F701-X	32A	Single phase 5x6mm ² +2x0.5mm ² /	
GPEC-AC-040-F701-X	40A	TPU, Φ16±0.5	



GPEC-E-AC
AC Charger(Pile End)

Data	
Environmental performance	
Operating temperature	-30°C~+50°C
Degree of protection	IP55
Electrical performance	
Rated current	16A/20A/32A/40A
Operation voltage	250/480V
Insulation resistance	>1000MΩ (DC500V)
Contact Resistance	0.5mΩ Max
Terminal temperature rise	<50K
Withstand voltage	2500V
Mechanical properties	
Mechanical life	no-load plug in/out >10000times
Coupled insertion force	45N<F<100N
Impact of external force	It can withstand 1m height drop and 2t vehicle rolling
Applied Materials	
Case material	Thermoplastic, flame retardant grade UL94 V-0; Shell color: white/black optional
Terminal	Copper alloy, silver plating



Product Model	Rated current	Rated current	Remarks
GPEC-AP-016-F501-X	16A	Single phase 3x2.5mm ² +2x0.5mm ² /	"X" after the model represents the wire length
GPEC-AP-020-F501-X	20A	TPU, Φ10.5±0.5	
GPEC-AP-016-F701-X	16A	Three phase 5x2.5mm ² +2x0.5mm ² /	Cable color: black/orange optional
GPEC-AP-020-F701-X	20A	TPU, Φ13±0.5	
GPEC-AP-032-F501-X	32A	Single phase 3x6mm ² +2x0.5mm ² /	Cable color: black/orange optional
GPEC-AP-040-F501-X	40A	TPU, Φ13±0.5	
GPEC-AP-032-F701-X	32A	Single phase 5x6mm ² +2x0.5mm ² /	
GPEC-AP-040-F701-X	40A	TPU, Φ16±0.5	