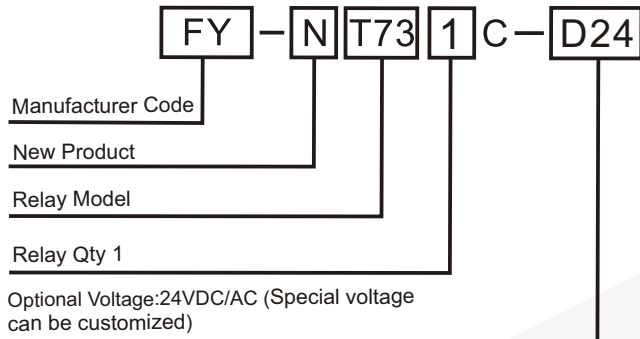




Features

- DIN Rail optional 1/2/4/8/16 channels relay interface modules
- Sub-miniature intermediate power relay, approved TUV, UL and RoHS compliant.
- Switching current upto 10A at 250VAC or 30VDC
- Input connections by screw terminal block. NPN & PNP in common use, AC & DC in common use
- Relay status indicator LED, surge suppression protection and overvoltage protection are provided for each relay channel
- DIN Rail mountable for width TS15/28/35

Ordering Code



Data

Input Operation Voltage	Rated DC/AC ± 10%
Relay Mounting	Soldered on PCB
Rated Load Current	10A 250VAC/30VDC
Max Inrush Current	10A
Coil Resistance	100mΩ (1A 6VDC)
Operate Time (at normal volt.)	≤ 10ms
Release Time (at normal volt.)	≤ 10ms
Input/Output Connections	Screw terminal block
Wire Range	0.2~2.5mm ²
Stripping Length	6-7mm
DIN Rail Mountable	15/28/35mm
Power Per Channel	0.45W

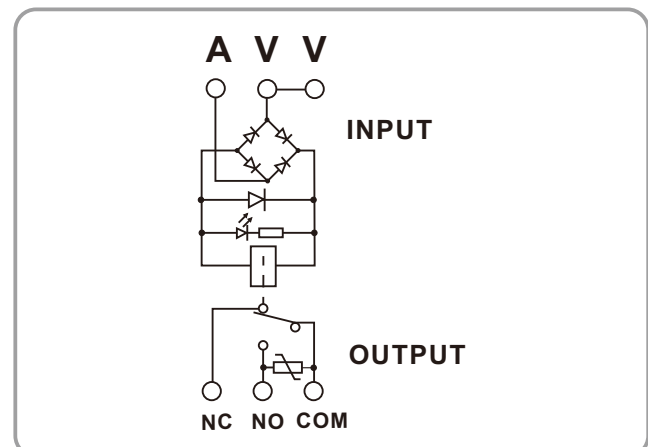
Relay Module Dimension

Relay Qty	Dimension (mm)
1	18×85×52
2	40×85×52
4	70×85×52
8	130×85×52
16	250×85×52

Application

Relay Modules are designed for current amplification and isolation protection of output loads. Applicable to PLC, microprocessor systems and time relays etc, amplifying the control current of outputs, to protect key control systems not being destroyed.

Wiring diagram





Ordering Code

FY - **N** **T73** **2** **C** - **D24**

Manufacturer Code

New Product

Relay Model

Relay Qty 2

Optional Voltage:24VDC/AC (Special voltage can be customized)

Relay Module Dimension

Relay Qty	Dimension(mm)
1	18×90×52
2	40×85×70
4	70×85×70
8	130×85×70
16	250×85×70

Application

Relay Modules are designed for current amplification and isolation protection of output loads. Applicable to PLC, microprocessor systems and time relays etc, amplifying the control current of outputs, to protect key control systems not being destroyed.

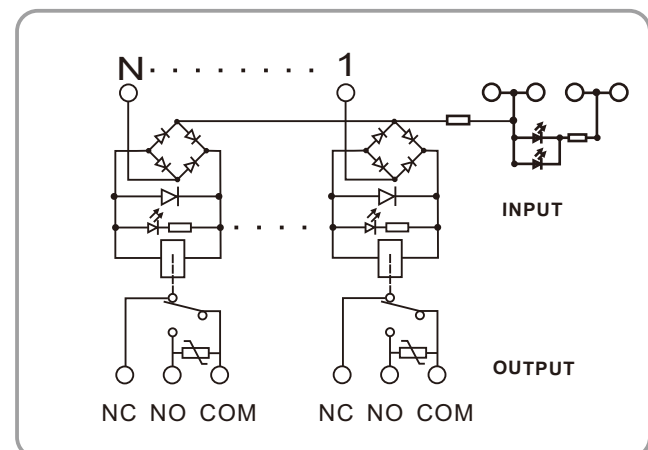
Features

- DIN Rail optional 1/2/4/8/16 channels relay interface modules
- Sub-miniature intermediate power relay, approved TUV, UL and RoHS compliant.
- Switching current upto 10A at 250VAC or 30VDC
- Input connections by screw terminal block. NPN & PNP in common use, AC & DC in common use
- Relay status indicator LED, surge suppression protection and overvoltage protection are provided for each relay channel
- DIN Rail mountable for width TS15/28/35

Data

Input Operation Voltage	Rated DC/AC ±10%
Relay Mounting	Soldered on PCB
Rated Load Current	10A 250VAC/30VDC
Max Inrush Current	10A
Coil Resistance	100mΩ (1A 6VDC)
Operate Time(at normal volt.)	≤10ms
Release Time(at normal volt.)	≤10ms
Input/Output Connections	Screw terminal block
Wire Range	0.2~2.5mm ²
Stripping Length	6-7mm
DIN Rail Mountable	15/28/35mm
Power Per Channel	0.45W

Wiring diagram

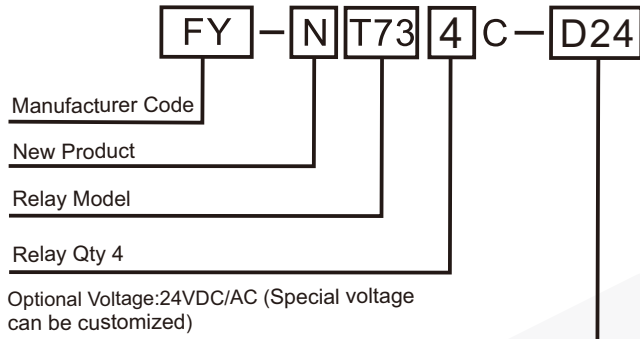




Features

- DIN Rail optional 1/2/4/8/16 channels relay interface modules
- Sub-miniature intermediate power relay, approved TUV, UL and RoHS compliant.
- Switching current upto 10A at 250VAC or 30VDC
- Input connections by screw terminal block. NPN & PNP in common use, AC & DC in common use
- Relay status indicator LED, surge suppression protection and overvoltage protection are provided for each relay channel
- DIN Rail mountable for width TS15/28/35

Ordering Code



Data

Input Operation Voltage	Rated DC/AC $\pm 10\%$
Relay Mounting	Soldered on PCB
Rated Load Current	10A 250VAC/30VDC
Max Inrush Current	10A
Coil Resistance	100m Ω (1A 6VDC)
Operate Time(at normal volt.)	≤ 10 ms
Release Time(at normal volt.)	≤ 10 ms
Input/Output Connections	Screw terminal block
Wire Range	0.2~2.5mm ²
Stripping Length	6-7mm
DIN Rail Mountable	15/28/35mm
Power Per Channel	0.45W

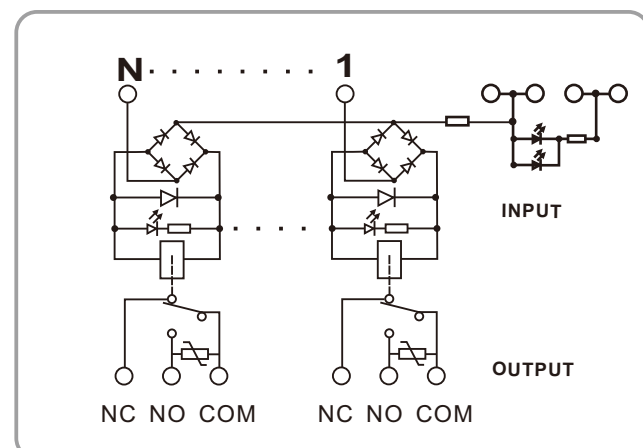
Relay Module Dimension

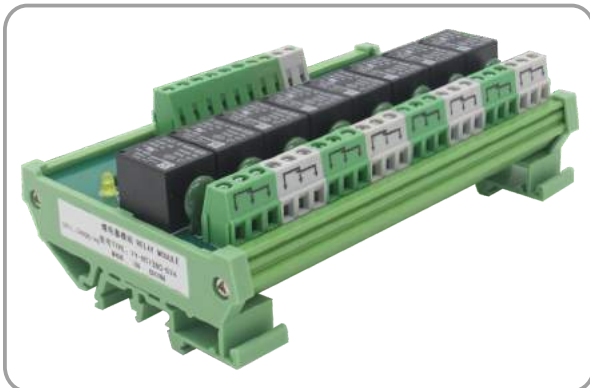
Relay Qty	Dimension(mm)
1	18×90×52
2	40×85×52
4	70×85×52
8	130×85×52
16	250×85×52

Application

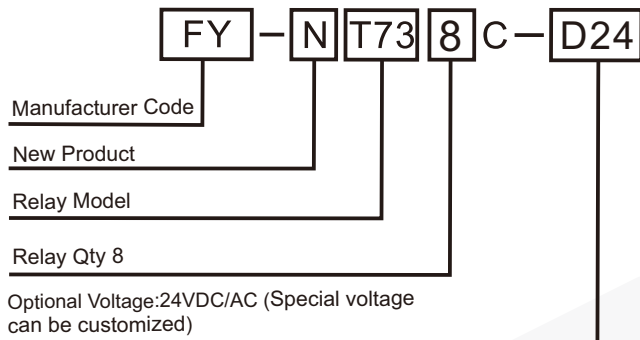
Relay Modules are designed for current amplification and isolation protection of output loads. Applicable to PLC, microprocessor systems and time relays etc, amplifying the control current of outputs, to protect key control systems not being destroyed.

Wiring diagram





Ordering Code



Relay Module Dimension

Relay Qty	Dimension(mm)
1	18×90×52
2	40×85×52
4	70×85×52
8	130×85×52
16	250×85×52

Application

Relay Modules are designed for current amplification and isolation protection of output loads. Applicable to PLC, microprocessor systems and time relays etc, amplifying the control current of outputs, to protect key control systems not being destroyed.

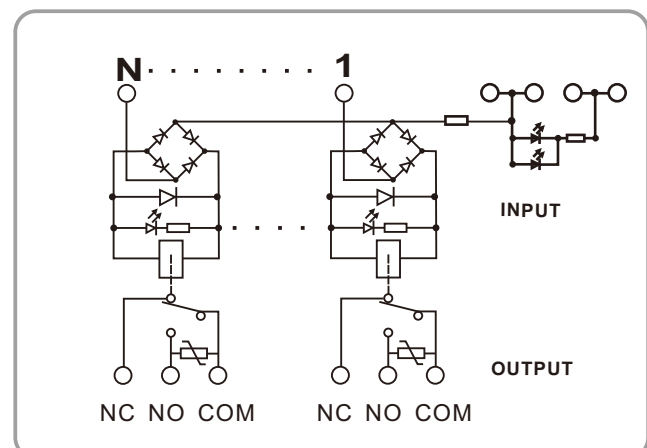
Features

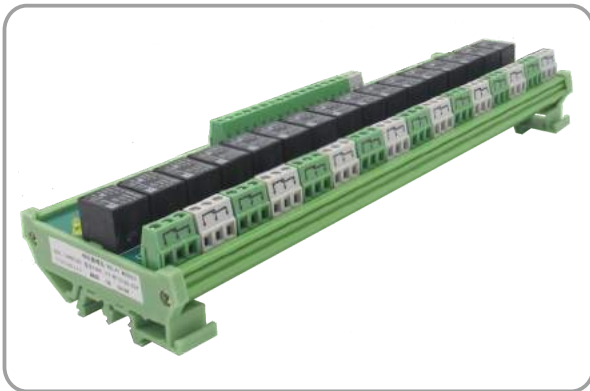
- DIN Rail optional 1/2/4/8/16 channels relay interface modules
- Sub-miniature intermediate power relay, approved TUV, UL and RoHS compliant.
- Switching current upto 10A at 250VAC or 30VDC
- Input connections by screw terminal block. NPN & PNP in common use, AC & DC in common use
- Relay status indicator LED, surge suppression protection and overvoltage protection are provided for each relay channel
- DIN Rail mountable for width TS15/28/35

Data

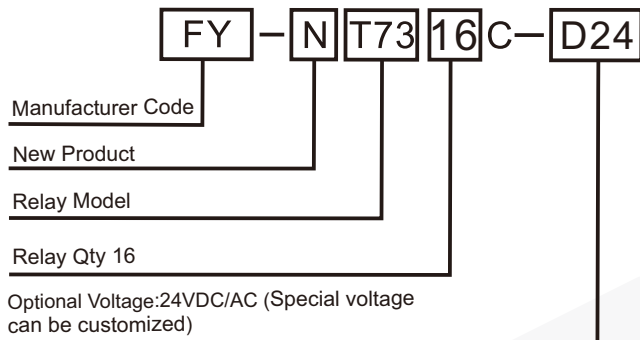
Input Operation Voltage	Rated DC/AC ±10%
Relay Mounting	Soldered on PCB
Rated Load Current	10A 250VAC/30VDC
Max Inrush Current	10A
Coil Resistance	100mΩ (1A 6VDC)
Operate Time(at normal volt.)	≤10ms
Release Time(at normal volt.)	≤10ms
Input/Output Connections	Screw terminal block
Wire Range	0.2~2.5mm ²
Stripping Length	6-7mm
DIN Rail Mountable	15/28/35mm
Power Per Channel	0.45W

Wiring diagram





Ordering Code



Relay Module Dimension

Relay Qty	Dimension(mm)
1	18×90×52
2	40×85×52
4	70×85×52
8	130×85×52
16	250×85×52

Application

Relay Modules are designed for current amplification and isolation protection of output loads. Applicable to PLC, microprocessor systems and time relays etc, amplifying the control current of outputs, to protect key control systems not being destroyed.

Features

- DIN Rail optional 1/2/4/8/16 channels relay interface modules
- Sub-miniature intermediate power relay, approved TUV, UL and RoHS compliant.
- Switching current upto 10A at 250VAC or 30VDC
- Input connections by screw terminal block. NPN & PNP in common use, AC & DC in common use
- Relay status indicator LED, surge suppression protection and overvoltage protection are provided for each relay channel
- DIN Rail mountable for width TS15/28/35

Data

Input Operation Voltage	Rated DC/AC ± 10%
Relay Mounting	Soldered on PCB
Rated Load Current	10A 250VAC/30VDC
Max Inrush Current	10A
Coil Resistance	100mΩ (1A 6VDC)
Operate Time(at normal volt.)	≤ 10ms
Release Time(at normal volt.)	≤ 10ms
Input/Output Connections	Screw terminal block
Wire Range	0.2~2.5mm ²
Stripping Length	6-7mm
DIN Rail Mountable	15/28/35mm
Power Per Channel	0.45W

Wiring diagram

