



GYCM3-PV DC MOLDED CASE CIRCUIT BREAKER

OVERVIEW

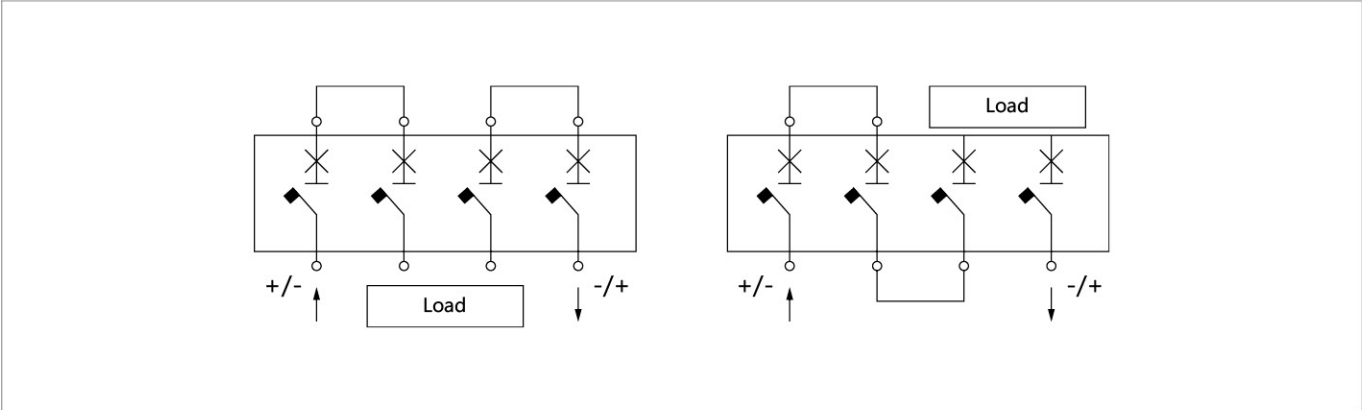
- Reliable protection at high ambient temperatures
- Loadable: string protection up to
125 size: 63A,80A, 100A, 125A
250 size: 160A,200A,225A,250A
400 size: 320A,400A
- Tested: Ultimate short circuit breaking capacity Icu of 25kA according to IEC IEC60947-2
- Fast: reclosable for minimum standstill times
- Safe: reliable disconnecter properties, switching under load
- Approval: Provided on request



SPECIFICATIONS

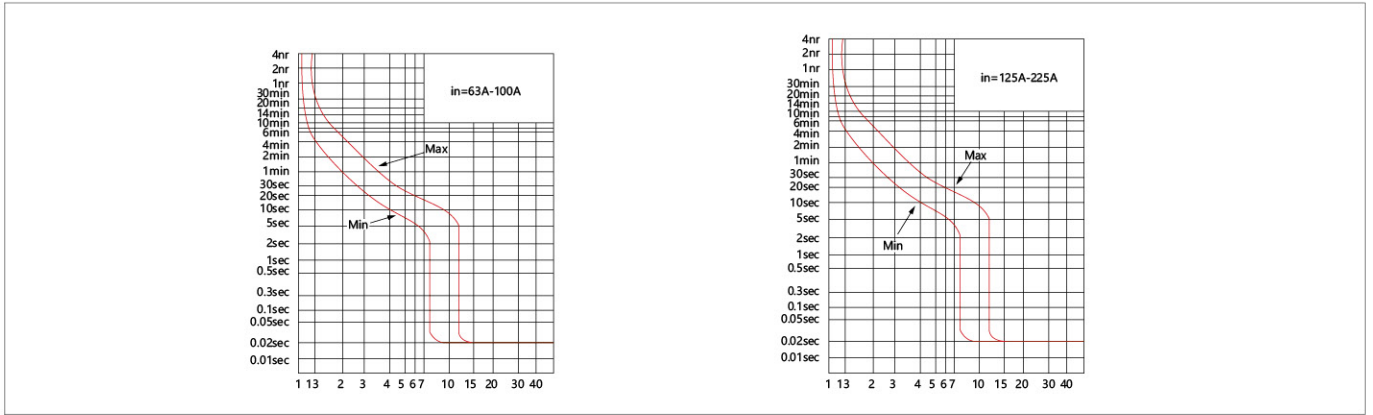
Rated Current In (A)	125: 63A, 80A, 100A, 125A; 250: 160A, 200A, 225A, 250A; 400: 320A, 400A
Ue Rated operating voltage (VDC)	3P: 750V 4P: DC1000V
Rated insulation voltage Ui (VDC)	DC1000V
Rated Impact voltage Uimp (kV)	8KV
Ultimate breaking capacity Icu (kV)	25KV
Trip type	Thermal-magnetic
Ambient temperature (°C)	-20°C ~70°C
Altitude	2000M
Installation	Fixed, plug-in
Accessories	Auiliary, Alarm, Shunt release, Manually operated and electric operation

WIRING MODE



- Protection and Isolation wiring
- The load should be ≤ DC1000V
The connection considered for a network in which the middle point of the supply source is earthed, In this case the breaker protects and isolates the load
- Protection and Isolation wiring
- The load should be ≤ DC1000V
The Negative pole (-) could be earthed, but in both cases the breaker protects and isolates the load

CURVE CHART



INSTALLATION DIMENSIONS

