

GYM9-63DC Series MCB



GENERAL

GYM9-63DC circuit breaker is used for DC rated voltage to 1000V, rated current to 63A line, for overload and short circuit protection, and can also be used as an infrequent operation of the line. Circuit breakers are used in DC applications such as communications and photovoltaic syst.

- In compliance with IEC/EN606947-2
- With indicator function in the contact position.
- Transparent cover designed to carry label.
- Bilateral busbar wiring capabilities to adapt to the wider use of premises.
- Maximum connecting ability of 25mm², wiring torque 3N*m, applicable to a variety of installing
- equipments, wiring stronger

TECHNICAL DATE

Electrical features	
Rated current I _n	1-63A
Poles	1P 2P 3P 4P
Rated voltage U _e	1P: 250V~ 2P:500V,3P:750V,4P:1000V
Insulation voltage U _i	1000V
Rated breaking capacity	6000A
Rated impulse withstand voltage(1.2/50) U _{imp}	6kV
Dielectric test voltage at and ind. freq.for 1min	2kV
Polution degree	2
Thermo-magnetic release characteristic	B:6I _n ±20%; C:12I _n ±20%
Mechanical life	10000

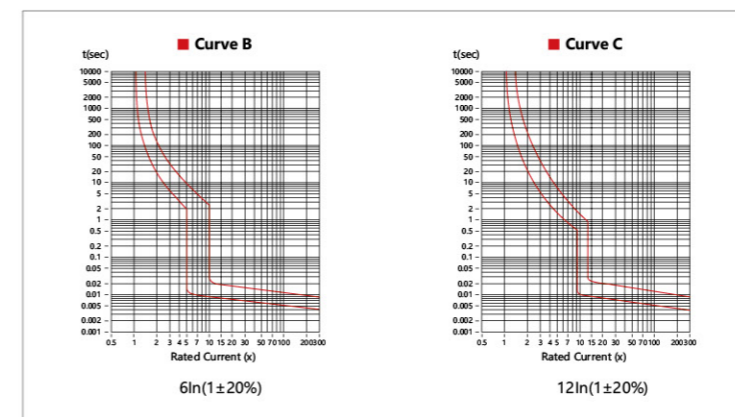
Installation	
Contact position indicator	Yes
Portection degree	IP20
Reference temperature for setting of thermal element	30°C
Ambient temperature (with daily average ≤ 35°C)	-5~+40°C
Storage temperature	-25~+70°C
Terminal connertion type	Cable/U-type busbar/Pin-type busbar
Terminal size top/bottom for cable	25mm ² 18-3
Terminal size top/bottom for cable	25mm ² 18-3
Tightening torque	3.0N*m 22
Mounting	On DIN rail FN 60715 (35mm) by means of fast clip device
Connection	Top and bottom

CONNECTION

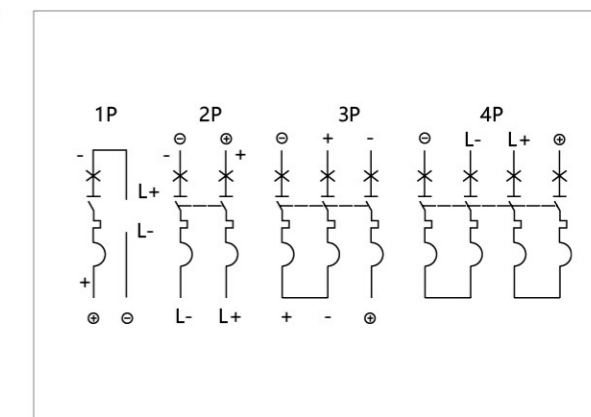
Rated current I _n	Nominal Section Area of Copper Wire(mm ²)
1~6A	1
10A	1.5
16、 20A	2.5
25A	4
32A	6
40、 50A	10
63A	16



CHARACTERISTICS CURVE



WIRING DIAGRAM



TEMPERATURE COMPENSATION

When the ambient temperature is not a benchmark of 30 degrees, the reference correction factor is as follows.

Ambient Temperature	-20°C	-10°C	0°C	10°C	20°C	30°C	40°C	50°C	60°C
Current Correction Coefficient	1.20	1.15	1.11	1.08	1.04	1.00	0.96	0.92	0.88

CONNECTION

Rated current I _n	Nominal Section Area of Copper Wire(mm ²)
1~6A	1
10A	1.5
16、 20A	2.5
25A	4
32A	6
40、 50A	10
63A	16

OVERALL AND MOUNTING DIMENSIONED CHART

