

3-Phase voltage relay GRV8-09...10

Instruction Manual



General

■Applications

- Control for connection of moving equipment(site equipment, agricultural equipnt,refrigerated trucks).
- Control for protection of persons and equipment against the consequences of reverse running.
- Normal/emergency power supply switching.
- Protection against the risk of a driving load(phase failure).

■Function Features

- Controls its own supply voltage(True RMS measurement).
- Set 8-level rated operating voltage through knob.
- Measuring frequency range:45Hz-65Hz.
- Voltage measurement accuracy<1%.
- Relay status is indicated by LED.
- 1-MODULE,DIN rail mounting.

■Model and connotation

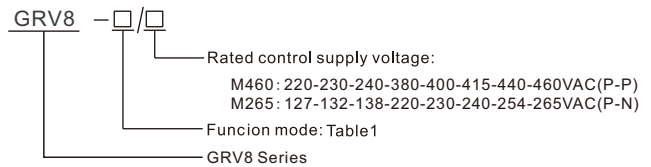
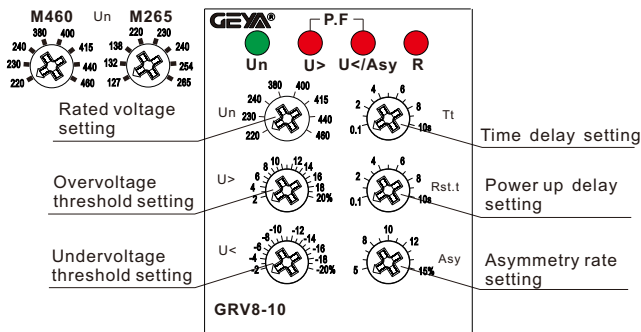


Table1

Function code	Over-voltage	Under-voltage	Asymmetry	Delay time	Phase sequence	Phase failure	Reset time
09			8%		●	●	
10	2%...20%	-20%...2%	5%...15%	0.1s...10s	●	●	0.1s...10s

Note:●the function is available

Panel Diagram



LED indication	States
Un	Normal
Un	Power up/Reset
U>	Overvoltage
U</Asy	Undervoltage
U</Asy	Asy
U>	Phase failure
U</Asy	Phase sequence
R	Relay on

NOTE:

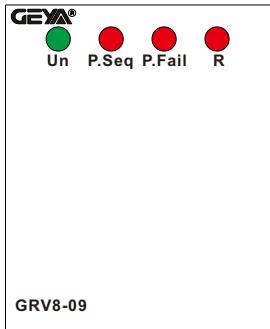
If the Un switch position is changed while the device is operating, LED(U>,U<,R) flash, but the product continues to operate normally with the voltage selected at the time of energisation preceding the change of position.The LED's return to their normal state if the switch is returned to the original position selected prior to the last energisation.

$$Asy = \frac{U_{max} - U_{min}}{U_{avr}} \times 100\% \quad U_{max} = \text{Max}(U_1, U_2, U_3)$$

$$U_{avr} = \frac{U_1 + U_2 + U_3}{3} \quad U_{min} = \text{Min}(U_1, U_2, U_3)$$

Technical parameters

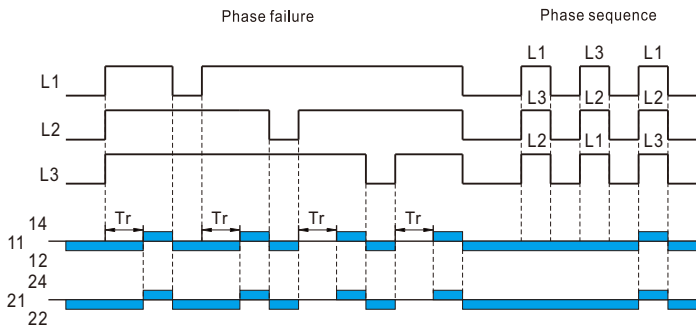
Technical parameters	M460	M265
Function	Monitoring 3-phase voltage	
Monitoring terminals	L1-L2-L3	L1-L2-L3-N
Supply terminals	L1-L2-L3	L1-L2-L3-N
Voltage range	220-230-240-380-400-415-440-460(P-P)	127-132-138-220-230-240-254-265(P-N)
Rated supply frequency	45Hz-65Hz	
Measuring range	176V-552V	101V-318V
Threshold adjustment voltage	2%-20%of Un selected	
Adjustment of asymmetry threshold	5%-15%	
Hysteresis	2%	
Phase failure value	70% of Un selected	70% of Un selected
Time delay	Adjustable 0.1s-10s,10%	
Measurement error	≤1%	
Power up delay/Reset time	Adjustable 0.1s-10s,10%	
Konb setting accuracy	10% of scale value	
Supply indication	green LED	
Output indication	red LED	
Output	2×SPDT	
Current rating	8A/AC1	
Switching voltage	250VAC/24VDC	
Min.breaking capacity DC	500mW	
Temperature coefficient	0.05%/°C, at=20°C(0.05°F, at=68°F)	
Mechanical life	1×10 ⁷	
Electrical life(AC1)	1×10 ⁵	



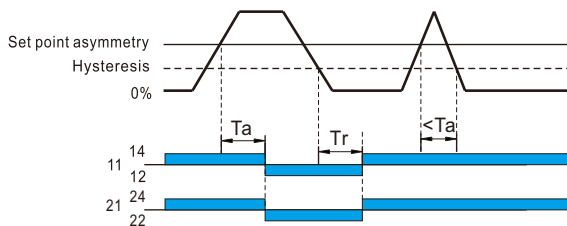
Operating temperature	-20°C to +55°C (-4°F to 131°F)
Storage temperature	-35°C to +75°C (-22°F to 158°F)
Mounting/DIN rail	Din rail EN/IEC 60715
Protection degree	IP40 for front panel/IP20 terminals
Operating position	any
Overvoltage category	III.
Pollution degree	2
Max. cable size(mm ²)	solid wire max.1×2. 5or 2×1. 5/with sleeve max.1×2. 5(AWG 12)
Dimensions	90×36×64mm
Weight	80g
Standards	EN 60255-1, IEC60947-5-1

Functions Diagram

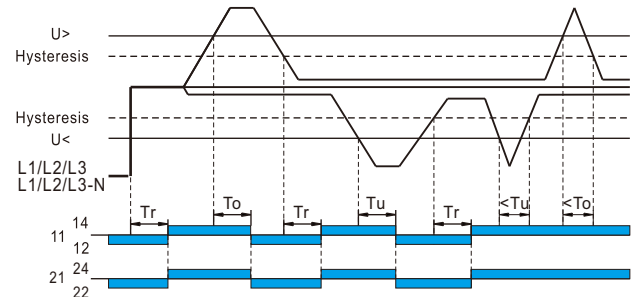
●Phase failure and phase sequence function diagram



●Asymmetry function diagram

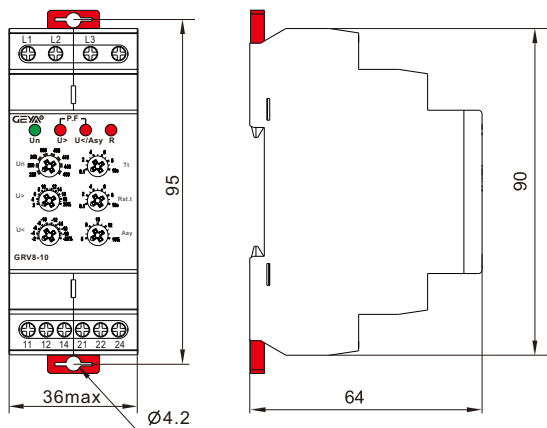


●Overvoltage and undervoltage function diagram

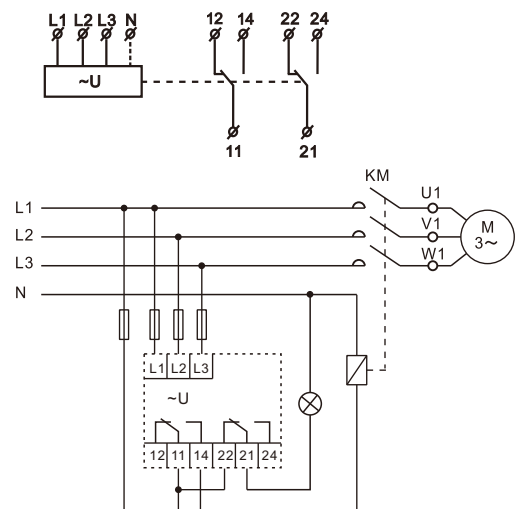


To: Overvoltage threshold tripping delay.
 Tu: Undervoltage threshold tripping delay.
 Ta: Asymmetry threshold tripping delay.
 Tr: Power up delay

Dimensions(mm)



Wiring Diagram



Disposal of Electrical Waste
 All electrical waste should be disposed of in compliance with current WEEE regulations.



Caution
 The products must be installed by qualified electricians. All and any electrical connections of the time relay shall comply with the appropriate safety standards.